

ABP-2845

Slim Embedded System with Quad Core Intel® Atom™ E3845, 2 Gigabit LAN, 6 COM with 2 Isolated, 5 USB, 8 GPIO, Fanless, Rugged, Extended Temperature



Features

- Quad Core Intel® Atom™ E3845 1.91GHz Processor
- Rugged, -25°C to 70°C Operating Temperature
- Fanless, Slim and Compact Design
- Dual Display : VGA/ dual HDMI/ LVDS
- 2 Independent Gigabit LAN
- 6 External COM with 2 Isolated RS-232/ 422/ 485
- 3 USB 3.0, 2 USB 2.0, 8 External GPIO
- Supports 3G/ 4G/ LTE/ WiFi/ GPRS/ UMTS
- 9V to 28V DC Power Input
- Optional Onboard GPS



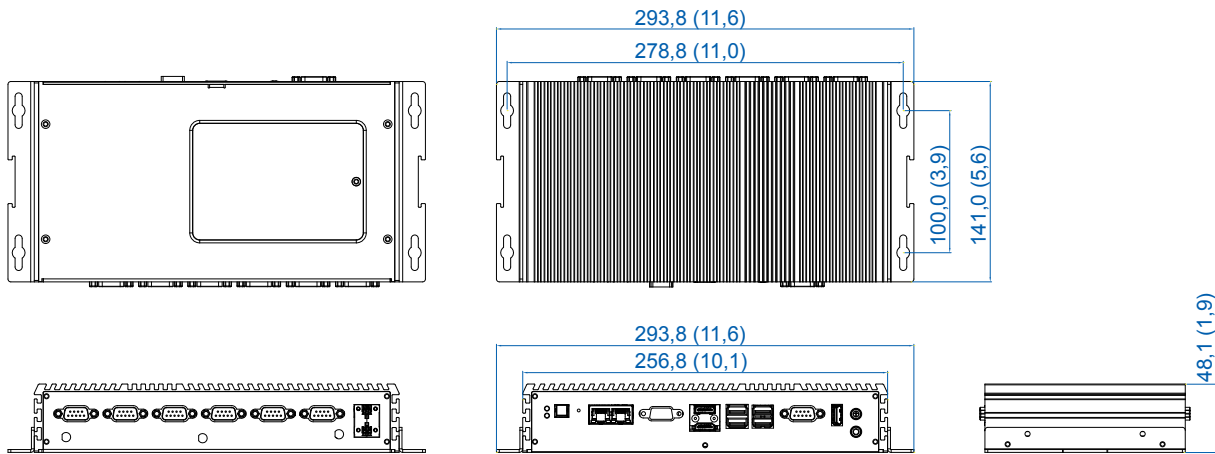
Specifications

System	
Processor	Quad Core Intel® Atom™ E3845 1.91GHz Processor (Valleyview)
Chipset	Intel® SoC (Bay Trail)
BIOS	AMI
SIO	IT8786E
Memory	1 DDR3L 1333MHz SO-DIMM, up to 8GB
I/O Interface	
Serial	6 External COM : <ul style="list-style-type: none"> ▪ 2 COM RS-232/ 422/ 485 ▪ 2 COM RS-232 ▪ 2 Isolated COM RS-232/ 422/ 485
USB	<ul style="list-style-type: none"> ▪ 3 USB 3.0 (External) ▪ 2 USB 2.0 (External)
GPIO	8 (External)
LED	Power, HDD
SIM Card	1 SIM Card Socket (Internal)
Expansion	
Mini PCIe	3 Mini PCIe Socket : <ul style="list-style-type: none"> ▪ 1 Mini PCIe for PCIe/ USB/ SIM Card ▪ 1 Mini PCIe for PCIe/ USB ▪ 1 Mini PCIe for mSATA
Graphics	
Graphics Processor	Intel® HD
Interface	Dual Display : <ul style="list-style-type: none"> ▪ VGA : Up to 2560 x 1600 ▪ HDMI 1 : Up to 1920 x 1080 ▪ HDMI 2 : Up to 1920 x 1080 ▪ LVDS : Dual channel 24-bit (Optional)
Storage	
SATA	1 SATA II (3Gbps)
mSATA	1 SATA II (Mini PCIe Type, 3Gbps)
Storage Device	1 2.5" SSD/ HDD Bracket (Internal)
Audio	
Audio Codec	Realtek ALC888S-VD, 7.1 Channel HD Audio
Audio Interface	1 Mic-in, 1 Line-out

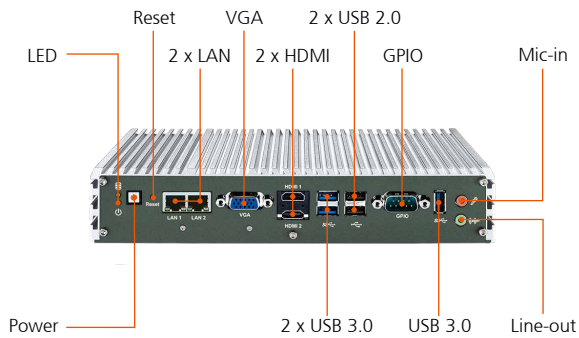
Ethernet	
LAN 1	Gigabit LAN by Intel® 82574L
LAN 2	Gigabit LAN by Intel® 82574L
Power	
Power Input	9V to 28V, DC-in
Power Interface	2-pin Terminal Block : V+, V-
Remote Switch	2-pin Terminal Block : On, Off
Others	
Watchdog Timer	Reset : 1 to 255 sec./min. per step
Smart Management	Wake on LAN, PXE supported
HW Monitor	Monitoring temperature, voltages. Auto throttling control when CPU overheats.
GPS	Onboard GPS Module (Optional)
Software Support	
OS	Windows 8, Windows 7, Linux
Mechanical	
Dimensions (W x L x H)	257mm x 141mm x 48mm (10.1" x 5.6" x 1.9")
Weight	2.1 kg (4.6 lb)
Mounting	Wallmount by mounting bracket
Environment	
Operating Temperature	-25°C to 70°C (-13°F to 158°F)
Storage Temperature	-40°C to 85°C (-40°F to 185°F)
Humidity	10% to 95% Humidity, non-condensing
Relative Humidity	95% @ 70°C
Shock	<ul style="list-style-type: none"> ▪ IEC 60068-2-27 ▪ SSD : 50G @ wallmount, Half-sine, 11ms
Vibration	<ul style="list-style-type: none"> ▪ IEC 60068-2-64 ▪ SSD : 5Grms, 5Hz to 500Hz, 3 Axis
EMC	CE, FCC, EN 50155, EN 50121-3-2

Dimensions

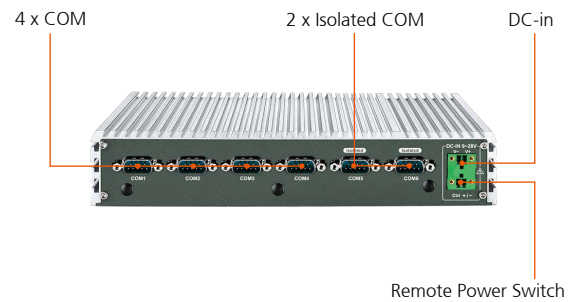
Unit : mm/ inch



Front I/O



Rear I/O



Order Information

ABP-2845	ABP-2000 Slim Embedded System, 2 GbE LAN, 6 COM w/ 2 Isolated, 5 USB, 8 GPIO, Onboard Quad Core Intel® Atom™ E3845
M340L-W28M1	Vecow DDR3L 4GB 1333/1066 MHz RAM, Wide Temperature -40°C to +85°C
DDR3L4G	Certified DDR3L-1600 4G RAM
DDR3L8G	Certified DDR3L-1600 8G RAM
PWA-60WP2	60W, 24V/2.5A 100V AC to 240V AC Power Adapter for 2-pin 3.5mm Terminal Block
VESA Mount	VESA Mounting Kit
DIN-RAIL	DIN Rail Kit
3G Module	Mini PCIe 3G/GPS Module with Antenna
4G Module	Mini PCIe 4G/GPS Module with Antenna
WiFi & Bluetooth Module	Intel® Mini PCIe WiFi & Bluetooth Module with Antenna